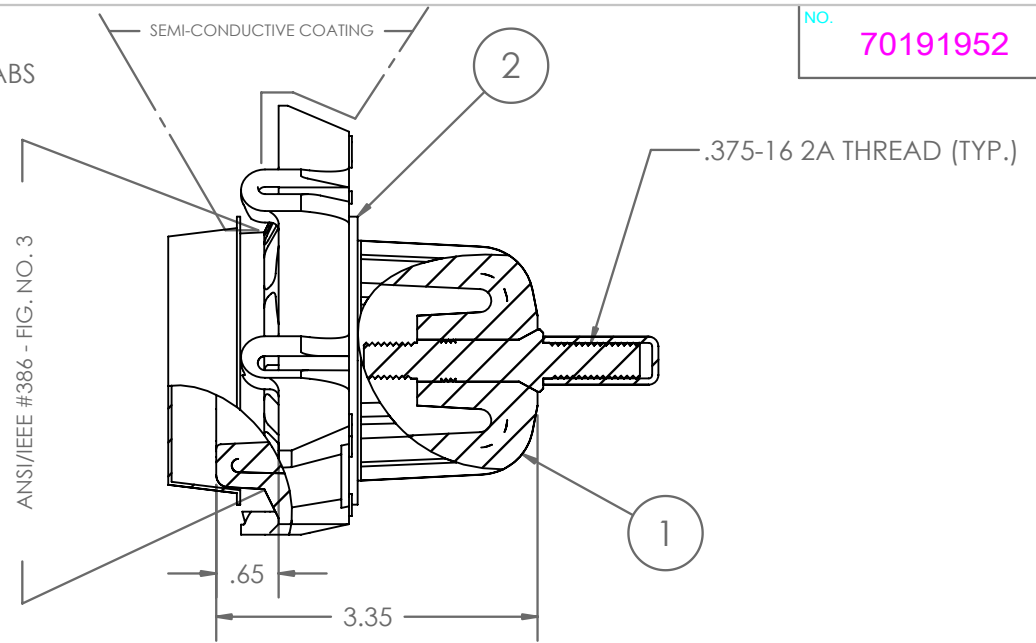
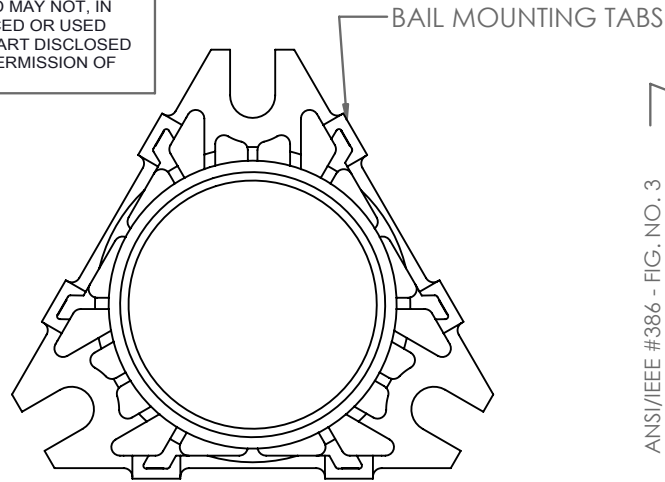


**PROPRIETARY INFORMATION**

THE INFORMATION CONTAINED ON THIS DRAWING IS CONSIDERED PROPRIETARY AND MAY NOT, IN WHOLE OR IN PART, BE REPRODUCED OR USED FOR THE MANUFACTURE OF THE PART DISCLOSED HERE-IN WITHOUT THE WRITTEN PERMISSION OF CENTRAL MOLONEY, INC.

NO. **70191952**



**RATINGS**

(IN ACCORDANCE WITH ANSI/IEEE STANDARD 386)

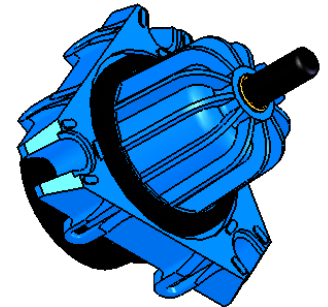
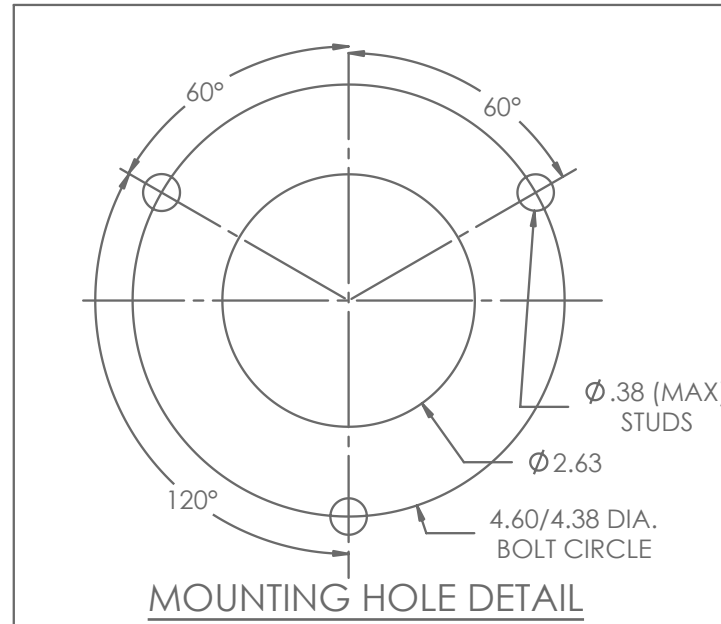
- VOLTAGE CLASS .....35 KV
- MAXIMUM LINE TO GROUND .....21.1 KV
- AC 60 HZ - 1 MIN. ....50 KV
- DC 15 MIN. ....103 KV
- IMPULSE B.I.L. ....150 KV
- MINIMUM CORONA LEVEL .....26 KV
- CONTINUOUS CURRENT .....200 AMPS

**NOTE:**

1. TORQUE MOUNTING NUTS TO 70-80 IN./LBS.
2. STUD OREINTATION IN TANK SHOULD BE AS SHOWN IN MOUNTING HOLE DETAIL.

**MATERIAL**

GLASS FILLED ENGINEERING THERMOPLASTIC.



NOTE: ALL DIMENSIONS ARE IN INCHES

2	GASKET	32161863	1	EA
1	TUF EX WELL II ASSY.	70191951	1	EA
ITEM NO.	DESCRIPTION	PART NUMBER	QTY.	U/M

NO.	REVISION	ECN NO.	DATE
-----	----------	---------	------

DRAWN BY <b>B.M.</b>	SCALE SCALE: 1:2
DATE 8/23/06	
TOLERANCE UNLESS OTHERWISE SPECIFIED .X=±.100 .XX=±.050 .XXX=±.010	



Central Moloney, Inc.  
Components Operation

5500 Jefferson Parkway-Phone (870) 247-5320-Pine Bluff, Arkansas 71602

TITLE TUF EX WELL II BUSHING ASSY. W/ GASKET	NO. 70191952	REV.
--	-----------------	------